

KNOXVAULT® 4400

TAMPER ALERT INSTALLATION INSTRUCTIONS

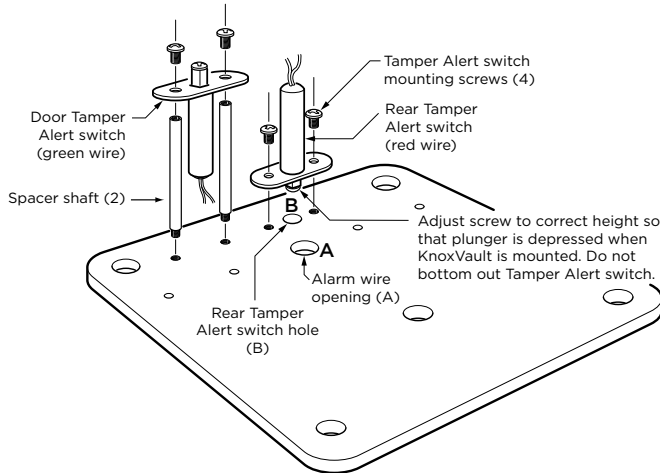


Figure 1

Backplate shown without housing for clarity

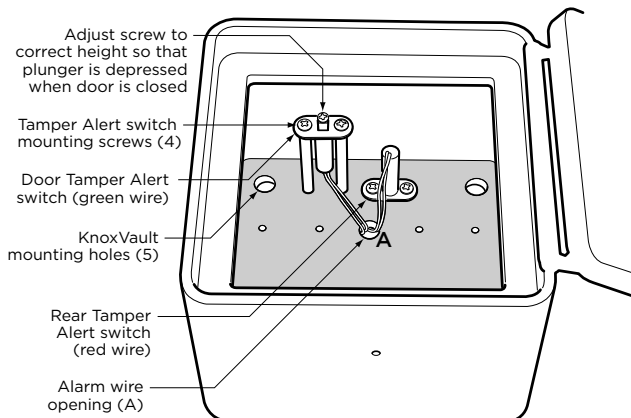


Figure 2

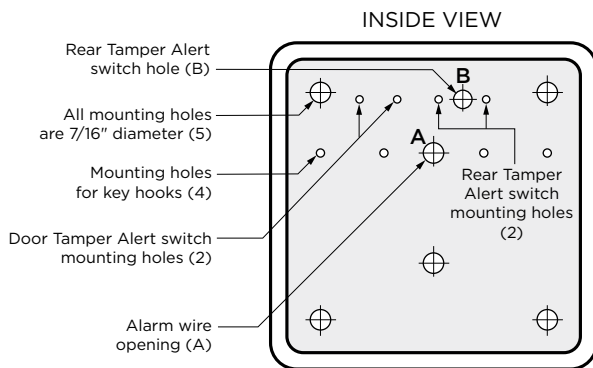
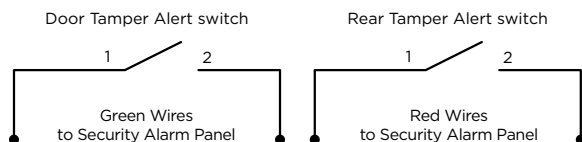


Figure 3



Wiring Diagram

1. The KnoxVault 4400 Tamper Alert is designed to be connected to an existing alarm system and should be installed only by a qualified alarm technician.
2. Position KnoxVault on wall so wires from alarm panel protrude into box through hole (A) in back plate. See Figure 1, 2 and 3.
3. Bolt KnoxVault to wall, following directions provided in mounting instructions.

IMPORTANT

Keep Tamper Alert switch hole (B) clear of caulk, debris or other foreign material, otherwise the Tamper Alert may not operate.

4. **Door Tamper Alert switch:** Screw the two spacer shafts to screw holes, then screw door Tamper Alert to the end of the spacer shafts with provided screws as shown in Figure 1. (Door Tamper Alert switch used in both the Recess and Surface Mount KnoxVault 4400.)

Rear Tamper Alert switch: Align rear Tamper Alert plunger in back plate, hole (B), as shown in Figure 1. Check length of plunger and, if necessary, adjust plunger screw to give proper travel. Check plunger contact by GENTLY pressing the bracket flush against the back plate. (Rear Tamper Alert switch only used in the Surface Mount KnoxVault 4400.)

CAUTION

Do not bottom out Tamper Alert. If the rear Tamper Alert adjustment screw protrudes too far, the rear Tamper Alert switch will break when screws are tightened.

Use of an ohm meter is recommended to assure that switch trips (0 ohms – for red/green wire, open for yellow wire) when Tamper Alert switch is GENTLY pushed flush against the back plate.

Secure the rear Tamper Alert switch to the back plate with the provided screws.

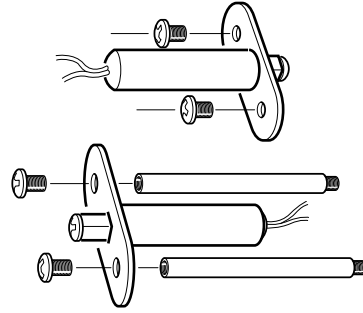
5. Connect Tamper Alert wires to building alarm. Alarm wiring must be pulled back through the alarm wire opening (A) to prevent interference with door locking mechanism. Green and Red wires must be secured tightly so that if box is removed, wires will be broken in the process, thereby causing alarm activation. In cases where yellow wires are used, the yellow wires should be loosely secured so that if box is removed, the wire can pull about an inch to allow the Tamper Alert switch to close, causing an alert before the wires break.

NOTES:

- A. Electrical: maximum 24 V, 50 mA.
- B. Red and Green wires indicate Normally Open (N.O.) Switch (Closed when KnoxVault is secure)
- C. Yellow wires indicate Normally Closed (N.C.) Switch (Open when KnoxVault is secure)



KNOXVAULT® 4400 TAMPER ALERT INSTALLATION INSTRUCTIONS



KNOXVAULT® 4400 TAMPER ALERT INSTALLATION INSTRUCTIONS